

## ASSEMBLY AND INSTALLATION INSTRUCTIONS

# MPQ Mounting Post and MPS Ground Post Socket

House Sold  
Separately

For Nature House models M-12K, DH-12N, DR-12N  
and other houses that accept a 1-1/4" O.D. mounting post.

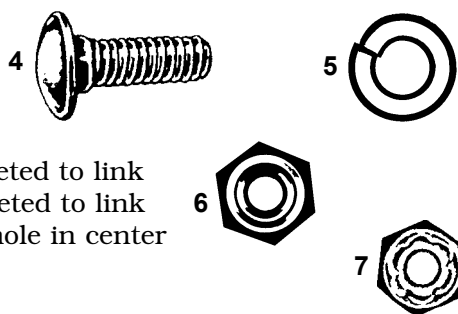
Please use "Product Code #" when ordering replacement parts

**CLAMP PARTS ARE PACKED INSIDE THE 1-3/4"X72" TUBE** Remove end plugs, check against parts list

## PARTS PACKED INSIDE POST BOX

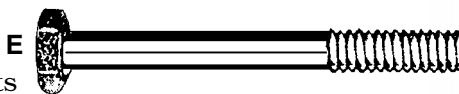
Code #	Item #	Qty	Description
27800	1	1	1-1/4" O.D.x76" post (top section)
27802	2	1	1-1/2" O.D.x74" post (center section)
27810	3	1	1-3/4" O.D.x72" post (bottom section)
30052	4	4	1/4-20x3/4 carriage bolt
43550	5	4	1/4 lock washer
42500	6	4	1/4-20 hex nut
32019	7	2	1/4-20 lock nut
20417	8	2	V link
28024	9	2	'B' tube clamp
728202	10	2	'C' tube clamp - riveted to link
720419	11	2	'O' tube clamp - riveted to link
20413	12	2	tube clamp - with hole in center
728204	13	2	cam arm
28210	14	1	locking bracket
MPS	—	1	MPS ground socket w/hardware

**NOTE:**  
POST TOP POST SECTION (1)  
IS SHIPPED INSIDE  
CENTER POST SECTION (2)



## MPS HARDWARE PACKED IN POST BOX

27860	A	1	2"O.D.x30" long galvanized tube
20413	B	2	Tube clamps
42550	C	3	1/4-20 keps nuts
30053	D	2	1/4-20x1-1/4 carriage bolts
32003	E	1	1/4-20x2-1/4 hex head (HH) bolt



## Instructions for MPS Ground Socket Installation

**GS 1.** Assemble tube clamps [B] as shown. Start 1/4-20 keps nuts [C] but do not tighten. Place assembly over slotted end of MPS galvanized tube [A], tighten nuts until snug.

**GS 2.** Insert 1/4-20x2-1/4 HH bolt [E] in hole near bottom of 2"O.D.x30" long galvanized tube [A]. Place 1/4-20 keps nut [C] on end of 1/4-20x2-1/4 HH bolt [E], tighten.

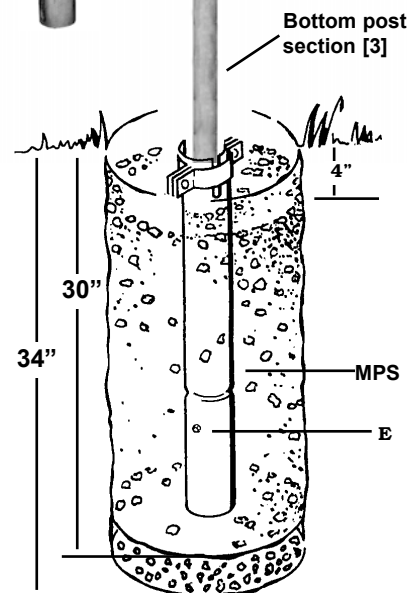
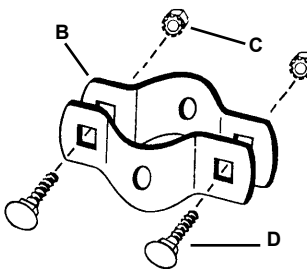
**GS 3.** Slide post bottom section (3) into ground socket (A) 24" and tighten 1/4-20 keps nuts [C] until post section is secure.

**GS 4.** Dig hole 8" diameter and 34" deep. Put coarse gravel in bottom of hole until top of ground socket is to ground level [30"]. Place crumpled newspaper inside lower end of socket to prevent concrete from sealing post (allows water to drain from post).

**GS 5.** Place ground socket/post section assembly in center of hole. Fill with concrete mix to just below slots in upper end of the socket [approx. 4" from ground surface]. This will require approximately 80 to 90 pounds of mix. Use guy wires or rope to hold assembly in vertical position while concrete sets.

**BE SURE to allow sufficient clearance above concrete to use wrench on clamp.**

**GS 6.** After concrete has hardened, loosen clamps and slide post section to bottom of socket. Re-tighten clamps securely.

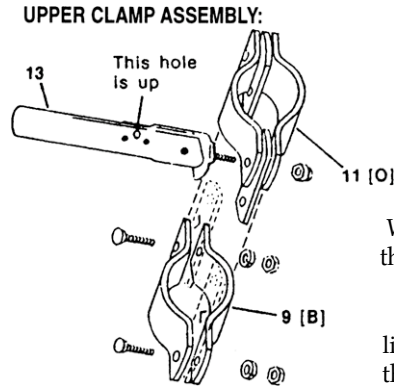
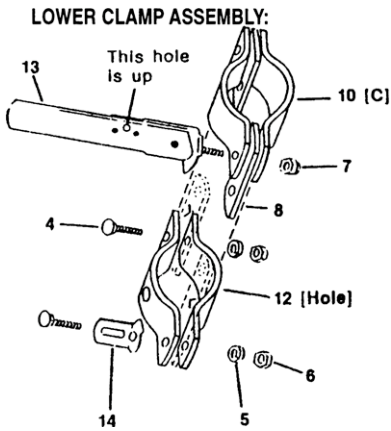


MPQ INSTRUCTIONS CONTINUE ON BACK

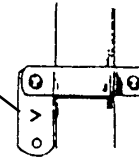
## Instructions for MPQ Mounting Post Installation

**Note:** Post top section (1) is shipped inside center post section (2).

1. Assemble post clamps as shown. **Leave nuts loose at this time.**



When assembling the clamp parts, be sure the 'V' stamped on the links point toward the post as shown.



**Note:** A locking bracket (14) is provided for lower clamp assembly. This part provides a means for a tamper resistant installation by use of a padlock, bolt or wire through cam arm and locking bracket.

2. Bottom end of top section (1) and center post section (2) are flared. When assembled, this flare acts as a stop to prevent raising a section too far. **To assemble, it is necessary to slide smaller section through next larger section from bottom end.**



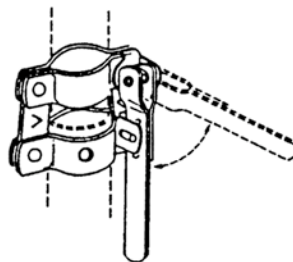
3. Proceed with assembly as shown. Tighten nuts on clamps (9) and (12) until secure.

4. To adjust tension on cam arm, move cam arm down parallel with post and tighten locking nut. When arm is raised at right angles to post, assembly is loosened.

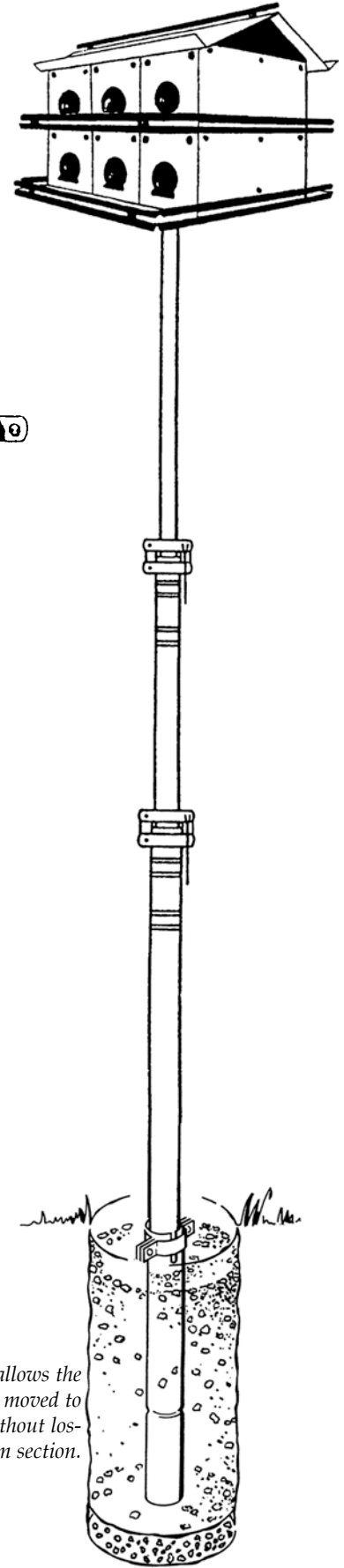
5. Attach martin house per directions packed with house.

**WARNING:** When adjusting post, be sure to hold post section securely with one hand and operate cam with the other. When cam arm is raised, post section is free to drop rapidly.

6. To raise, release cam arm on upper clamp assembly. Repeat, using cam arm on lower clamp assembly.



The ground socket allows the pole and house to be moved to another location without losing the post bottom section.



For replacement parts or accessories call toll-free 800-255-2692

Nature House products by ERVA TOOL & MFG CO INC, 3100 W GRAND AVE, CHICAGO IL 60622-4324

Phone 800-342-3782

E-mail <ervatool@sbcglobal.net>

Fax 800-342-3781

Nature House — Bringing the Benefits of Nature to Your House

