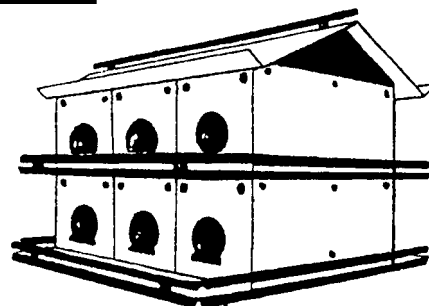


# Assembly Instructions

## MPQ Mounting Post

For Trio model M-12K, DuraCraft models DH-12N, DR-12N and other houses that accept a 1-1/4" O.D. mounting post.



### Parts List:

**NOTE: Clamp parts are packed inside the 1-3/4"x72" tube. Remove end plugs and check against parts list.**

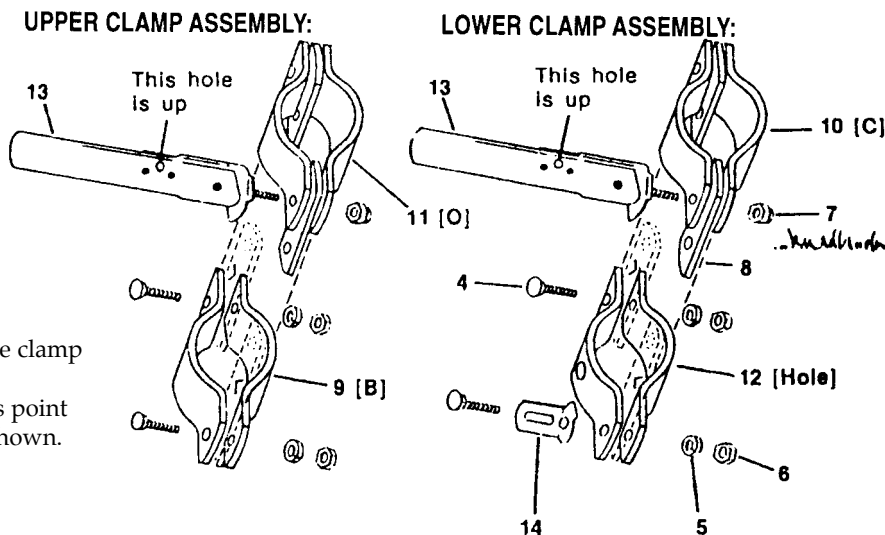
Code #	Item #	Qty	Description
27800	1	1	1-1/4" O.D.x76" post (top section)
27802	2	1	1-1/2" O.D.x74" post (center section)
27810	3	1	1-3/4" O.D.x72" post (bottom section)
30052	4	4	1/4-20x3/4 carriage bolts
43550	5	4	1/4 lock washers
42500	6	4	1/4-20 hex nuts
32019	7	2	1/4-20 lock nuts
20417	8	2	links
28024	9	2	'B' tube clamps
78202	10	2	'C' tube clamps - riveted to link
720418	11	2	'O' tube clamps - riveted to link
20413	12	2	tube clamps - with hole in center
728204	13	2	cam arms
28210	14	1	locking bracket

## Mounting Post Instructions:

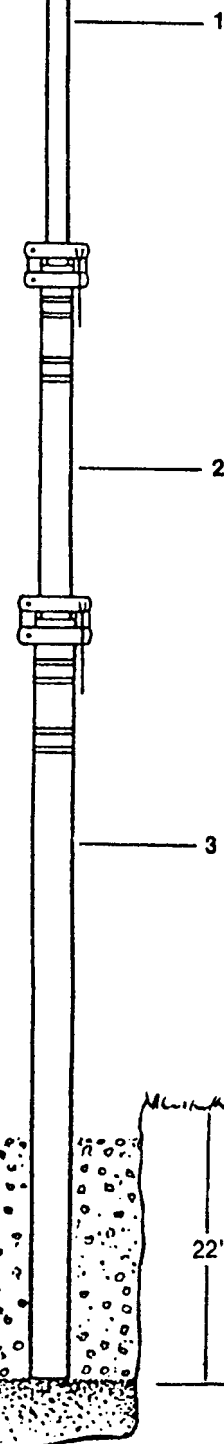
**1. Note:** Post top section (1) is shipped inside center post section (2).

**2. Assemble post clamps as shown. Leave nuts loose at this time.**

**Note:** A locking bracket (14) is provided for lower clamp assembly. This part provides a means for a tamper resistant installation by use of a padlock, bolt or wire through cam arm and locking bracket.



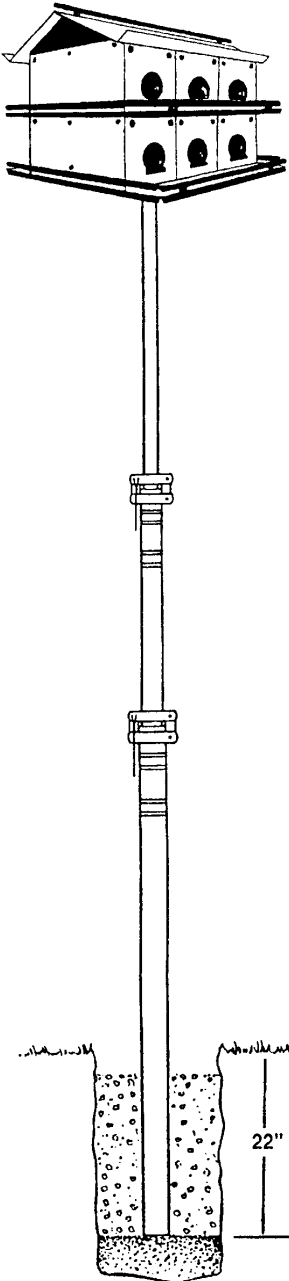
When assembling the clamp parts, be sure the 'V' stamped on the links point toward the post as shown.



— MPQ Mounting Post Instructions —

3. Bottom end of top section (1) and center post section (2) are flared. When assembled, this flare acts as a stop to prevent raising a section too far. **To assemble, it is necessary to slide smaller section through next larger section from bottom end.**

4. Proceed with assembly as shown. Tighten nuts on clamps (9) and (12) until secure.



5. To adjust tension on cam arm, move cam arm down parallel with post and tighten locking nut. When arm is raised at right angles to post, assembly is loosened.

Adjust to approximate distance shown and lock in place.

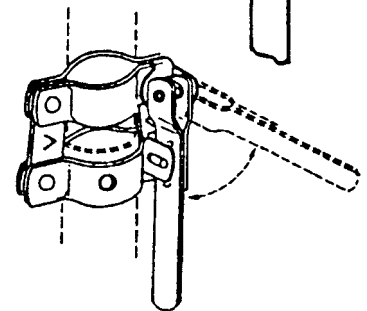
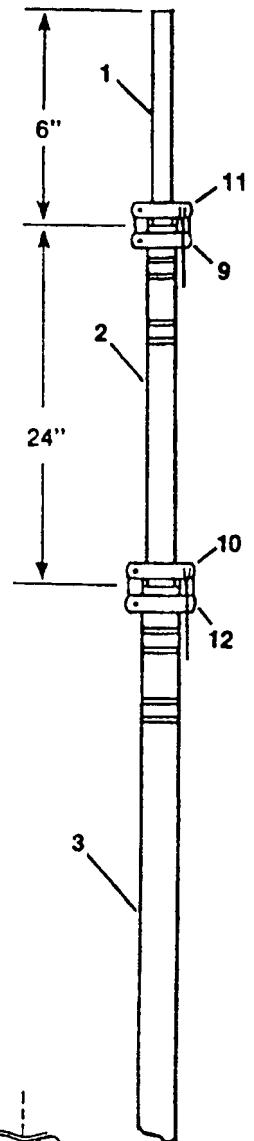
6. **IMPORTANT:** Pack lower inside end of post with newspaper to prevent concrete sealing post. This method will allow any water to drain from inside post.

Dig hole 6" to 8" in diameter and 26" deep. Put 4" of coarse gravel in hole. Place post section in hole and fill with concrete to 3" below ground level (approximately 90 pounds). Use guy wires or rope to hold post in vertical position while concrete sets up.

7. Attach martin house per directions packed with house.

**WARNING:** When adjusting post, be sure to hold post section securely with one hand and operate cam with the other. When cam arm is raised, post section is free to drop rapidly.

8. To raise, release cam arm on upper clamp assembly. Repeat, using cam arm on lower clamp assembly.



**For replacement parts or accessories call toll-free 877-833-2478 or 800-255-2692:**



Nature House products by  
**ERVA TOOL & MFG CO INC**  
3100 W GRAND AVE, CHICAGO IL 60622-4324



Phone 800-342-3782 E-mail <ervatool@sbcglobal.net> Fax 800-342-3781

Nature House — bringing the benefits of nature to your house