

Assembly and Installation Instructions

DP-16 Mounting Post

For ease of installation or replacement, we recommend using the MPS mounting post socket

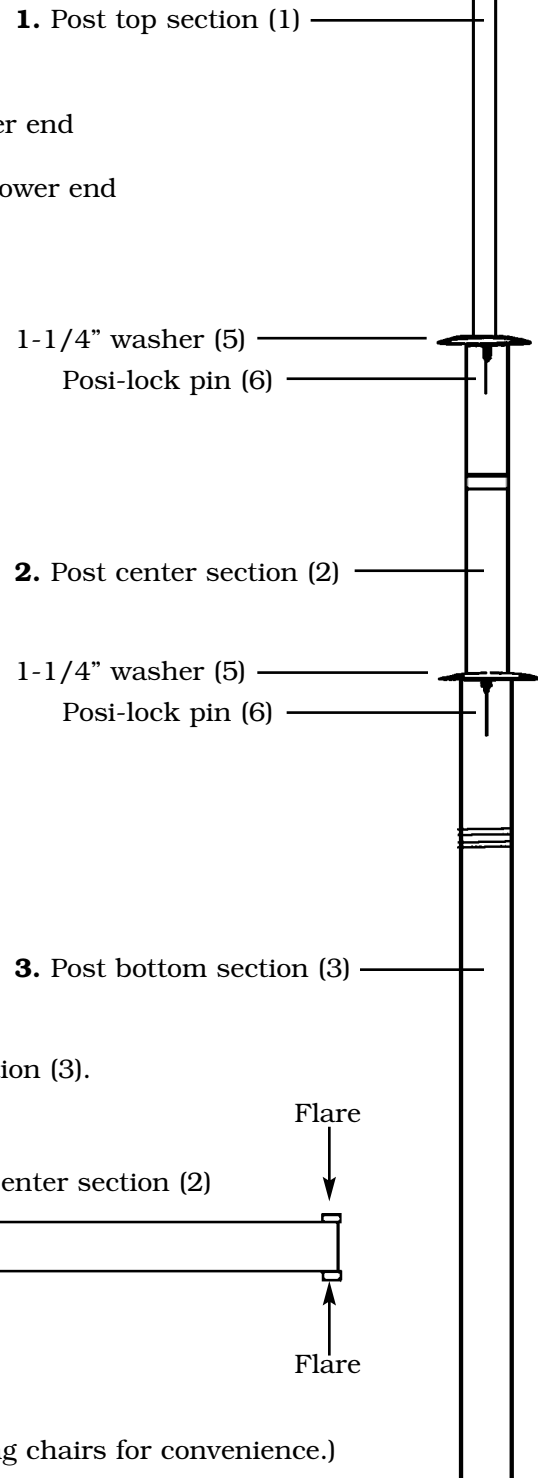
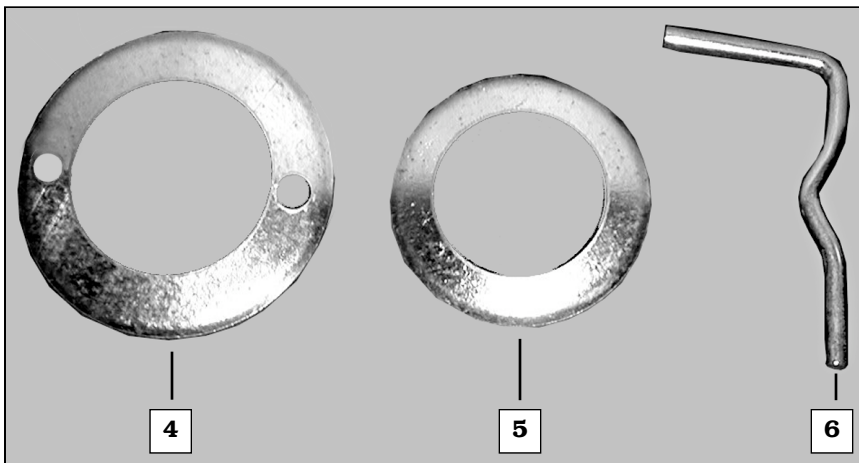
Parts List

POST PARTS

<u>Item</u>	<u>Part Number</u>	<u>Qty Req.</u>	<u>Description</u>
1	27900	1	1-1/4x18 ga.x69" Top section — upper end
2	27905	1	1-1/2x18 ga.x68" Center section
3	27910	1	1-3/4x18 ga.x67" Bottom Section — lower end

HARDWARE PARTS

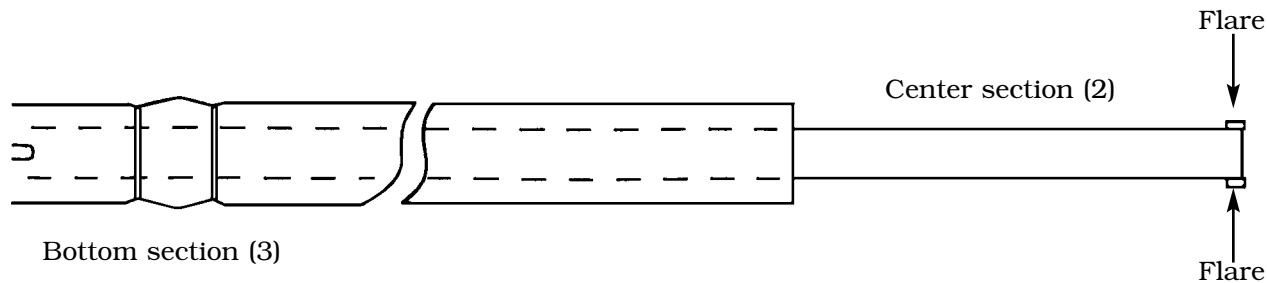
<u>Item</u>	<u>Part Number</u>	<u>Qty Req.</u>	<u>Description</u>
4	20505	1	1-1/2" washer
5	20510	1	1-1/4" washer
6	20515	2	Posi-lock pin



Mounting Post Instructions:

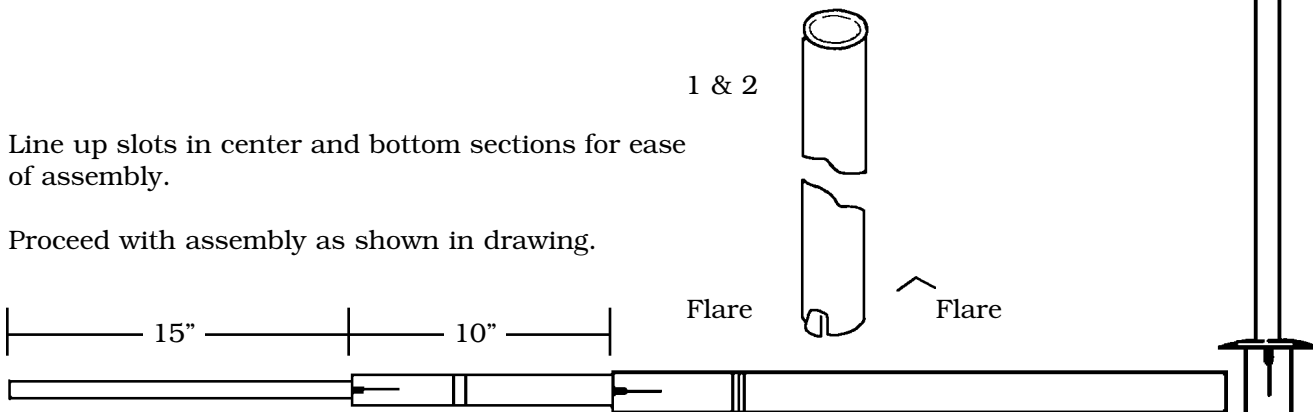
It is suggested you wear a pair of work gloves when installing.

- Note:** Post center section (2) is shipped inside of post bottom section (3).



- Place post parts on a flat surface (You may want to use two folding chairs for convenience.)

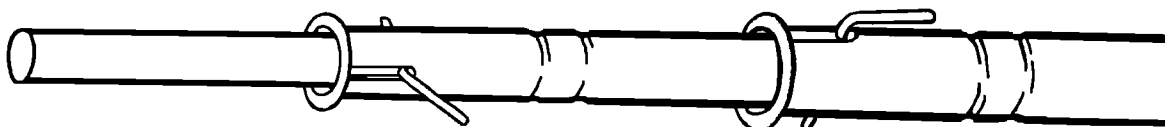
3. Bottom end of top section (1) and center section (2) are flared. When assembled, this flare acts as a stop to prevent raising a section too far. **To assemble, it is necessary to slide smaller section through the next larger section from bottom end.**



Line up slots in center and bottom sections for ease of assembly.

Proceed with assembly as shown in drawing.

4. Place 1-1/2" washer (4) and 1-1/4" washer (5) over assembly as shown — lip side down. (Posi-lock pins will be added later.)



Post installation:

5. **IMPORTANT:** Pack lower inside end of post with newspaper 2" or 3" to prevent concrete sealing the post. This method will allow any water to drain from inside post and will increase longevity of product substantially.

Dig hole 6" to 8" in diameter and 20" deep. Put 4" of coarse gravel in hole. Place post section in hole and fill with concrete to ground level (approximately 90 lbs.). Use guy wires or rope to hold post in vertical position while concrete sets up.

6. Attach martin house per directions packed with house.

7. As it takes some strength to raise and lower house with two pole sections, we suggest that you get help if needed.

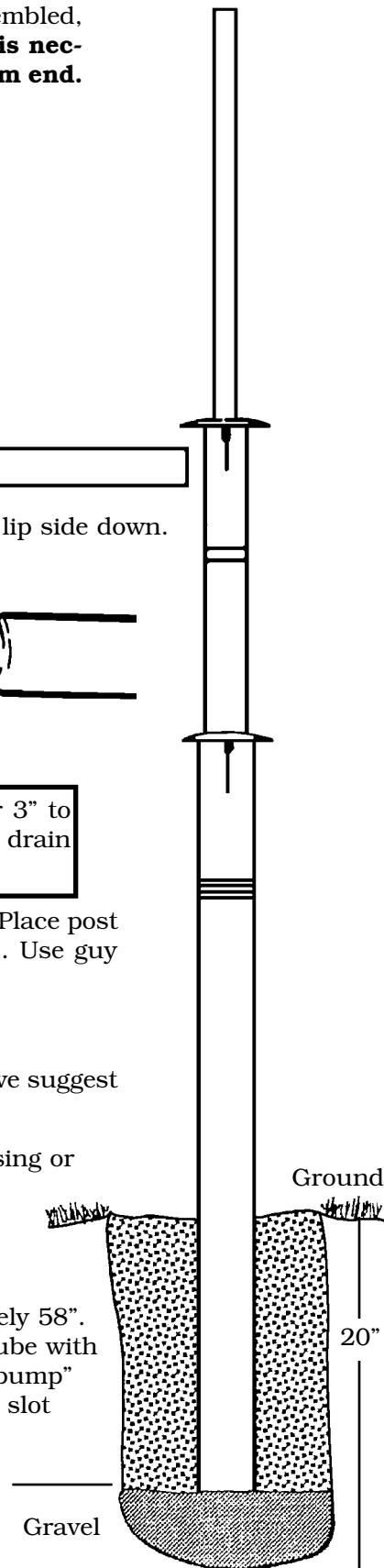
Caution: Care should be taken to hold upper post section securely when raising or lowering post.

8. Raising post: First place the posi-lock pins in the two small holes of the 1-1/2" dia. washer, straight side down.

Using both hands above the 1-1/4" washer, raise the top section approximately 58". You will find a 1/4" dia. hole through tube close to bottom end. By holding tube with one hand insert a posi-lock pin through hole below washer. Leg of pin with "bump" in center should be used and go through both sides of tube. Now drop pin in slot provided. This will support top section and prevent turning.

9. Repeat the above with center section (58").

To lower house reverse the above procedure.



For replacement parts or accessories call toll-free 877-833-2478 or 800-255-2692:

Nature House products by

ERVA TOOL & MFG CO INC, 3100 W GRAND AVE, CHICAGO IL 60622-4324

Phone 800-342-3782

E-mail <ervatool@sbcglobal.net>

Fax 800-342-3781

Nature House — bringing the benefits of nature to your house

