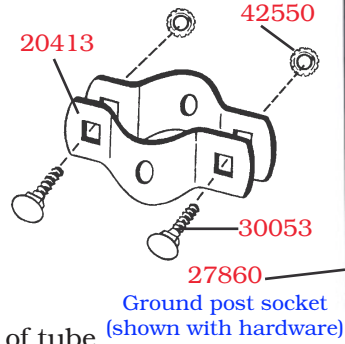


MPS Mounting Post Ground Socket

For use on Models PMC-24, MPQ and DP-16 poles

PARTS LIST

<u>Code #</u>	<u>Qty</u>	<u>Description</u>
27860	1	2"x30" Ground socket
20413	2	1-3/4 Tube clamp
42550	3	1/4-20 Keps nut
32003	1	1/4x2-1/4 Hex head bolt
30053	2	1/4-20x1-1/4" Carriage bolt



Instructions

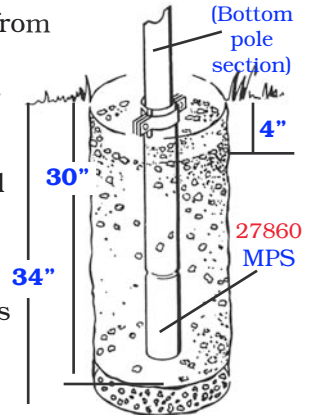
- 1. Install hex head bolt (32003)** in hole of tube using one 1/4-20 keps nut (42550).
- 2. Assemble tube clamps (20413)** as shown. Start keps nuts (42550), but do not tighten. Place assembly over slotted end of MPS (27860) ground socket and tighten nuts (42500) until snug.

- 3. Slide pole bottom section** into ground socket from top end, stopping at hex head bolt (32003) and tighten nut (42550) until pole section is secure.

- 4. Dig hole** approx. 8" diameter and 34" deep. Put coarse gravel in bottom of hole until top of ground socket (27860) is to ground level (30").

- 5. Place crumpled newspaper** inside lower end of socket to prevent concrete from sealing pole. This method will allow any water to drain from pole.

- 6. Place ground socket** and pole section in hole and fill with concrete to 4" below ground level. (Approx. 90 pounds.) Use guy wires or rope to hold post in vertical position while concrete sets up. Allow sufficient clearance above concrete to use wrench on clamp.



- 6. After concrete has hardened,** house installation can now be completed.

For replacement parts or accessories call toll-free 800-255-2692



NATURE HOUSE

www.erva.com

Nature House products by

ERVA TOOL & MFG CO INC

3100 W GRAND AVE, CHICAGO IL 60622-4324



Phone 800-342-3782

E-mail <ervatool@sbcglobal.net>

Fax 800-342-3781

Nature House — bringing the benefits of nature to your house